

NOTES:

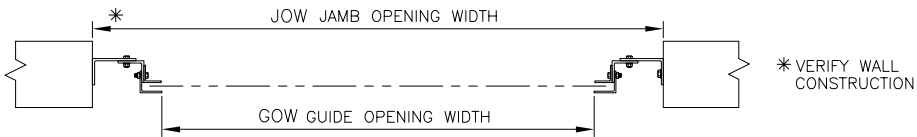
1. GENERAL SPECIFICATIONS SEE SHEET 1.
2. APPROX. WT. OF DOOR IS WT LBS.
3. DOOR DESIGNED TO WITHSTAND 20 PSF WINDLOAD.
4. THIS DRAWING COVERS GENERAL CONDITIONS, DIMS, AND SPECIFICATIONS ONLY. DO NOT USE FOR INSTALLATION PURPOSES, INSTALLATION INSTRUCTIONS AND DIMENSIONS ARE INCLUDED WITH SHIPMENT.

DIMENSIONS AND CLEARANCES AS NOTED BY ASTERISK (*) MUST BE FIELD CHECKED.

VERIFIED BY: _____ ON: _____

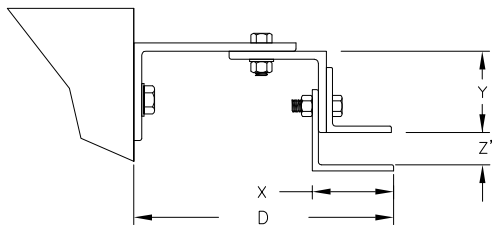
NO CANCELLATIONS OR RETURNS ON THIS ORDER:

Signature: _____

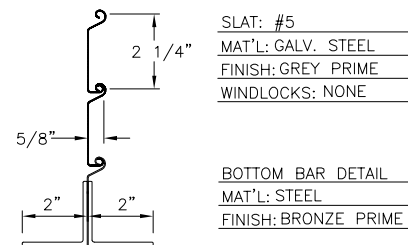


* VERIFY WALL CONSTRUCTION

GUIDE DETAIL TYPE D
MAT'L: STEEL
FINISH: BRONZE PRIME



BOTTOM BAR LOCK		
TYPE	OPERATION	
	INSIDE	OUTSIDE
SLIDE BOLT	<input type="checkbox"/>	<input type="checkbox"/>
CYLINDER	<input type="checkbox"/>	<input type="checkbox"/>
NO LOCKING	<input type="checkbox"/>	



MAKE	HAND	ARCH. MARK	DOOR MARK
	AS SHOWN		
	OPPOSITE		

NO.	BY	DATE	REVISION
			ORIGINAL DRAWING

Amarr
ENTRE/MATIC

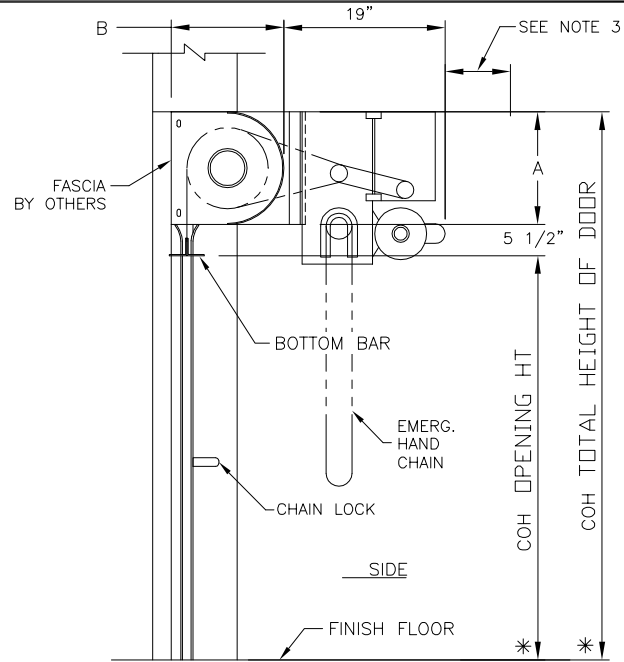
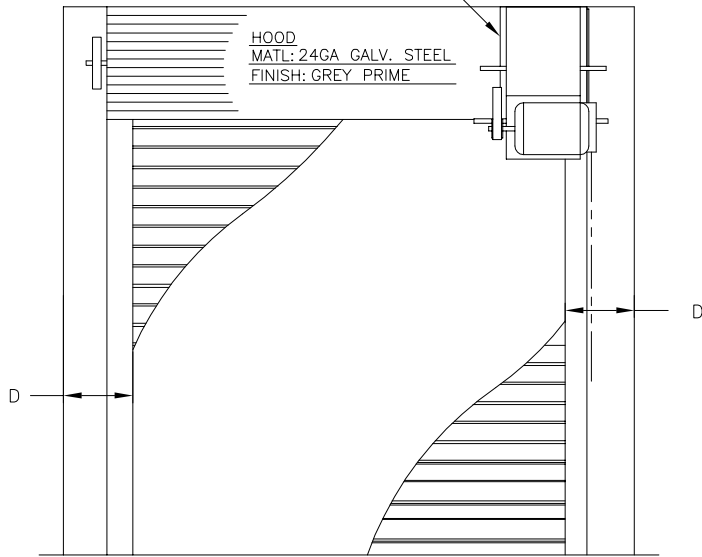
JOB: _____
CONTRACTOR: _____
ARCHITECT: _____
DISTRIBUTOR: _____

SERVICE DOOR || CHAIN OPER || BTWJAMB

DRAWING NO. _____ OF _____

MODEL H___ MOTOR OPERATOR, ___HP

HOOD
MAT'L: 24GA GALV. STEEL
FINISH: GREY PRIME



NOTES:

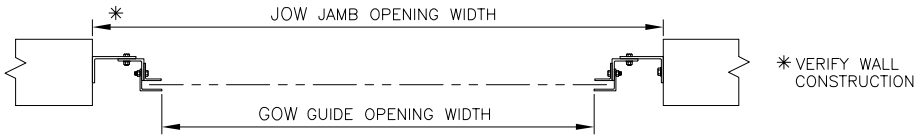
1. GENERAL SPECIFICATIONS SEE SHEET 1.
2. APPROX. WT. OF DOOR IS _____ WT LBS.
3. PROVIDE ADEQUATE CLEARANCE FOR WIRING MOTOR.
4. ELECTRICAL INFORMATION:
VOLTAGE _____ PHASE _____
CONTROLLER NEMA 1
CONTROL STATION NEMA 1
PUSH BUTTON SURFACE MTD
KEY STATION FLUSH MTD
5. DOOR DESIGNED FOR 25 CYCLES PER DAY.
6. DOOR DESIGNED TO WITHSTAND 20 PSF WINDLOAD.
7. THIS DRAWING COVERS GENERAL CONDITIONS, DIMS, AND SPECIFICATIONS ONLY. DO NOT USE FOR INSTALLATION PURPOSES, INSTALLATION INSTRUCTIONS AND DIMENSIONS ARE INCLUDED WITH SHIPMENT.

DIMENSIONS AND CLEARANCES AS NOTED BY ASTERISK (*) MUST BE FIELD CHECKED.

VERIFIED BY: _____ ON: _____

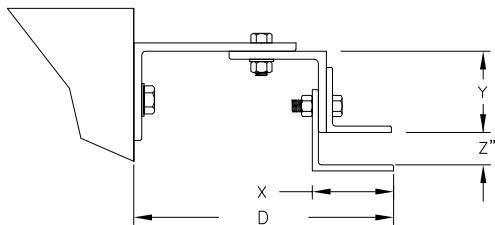
NO CANCELLATIONS OR RETURNS ON THIS ORDER:

Signature: _____

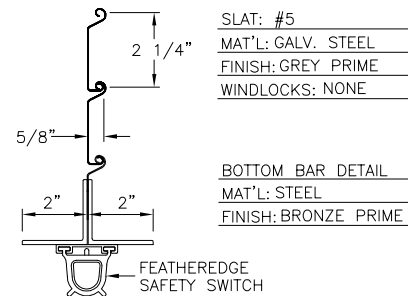


* VERIFY WALL CONSTRUCTION

GUIDE DETAIL TYPE D
MAT'L: STEEL
FINISH: BRONZE PRIME



BOTTOM BAR LOCK			
TYPE	OPERATION		INTER LOCK
	INSIDE	OUTSIDE	
SLIDE BOLT	<input type="checkbox"/>	<input type="checkbox"/>	<input type="checkbox"/>
CYLINDER	<input type="checkbox"/>	<input type="checkbox"/>	<input type="checkbox"/>
NO LOCKING	<input type="checkbox"/>		<input type="checkbox"/>



MAKE	HAND	ARCH. MARK	DOOR MARK
	AS SHOWN		
	OPPOSITE		

NO.	BY	DATE	REVISION
			ORIGINAL DRAWING

Amarr
ENTRE/MATIC

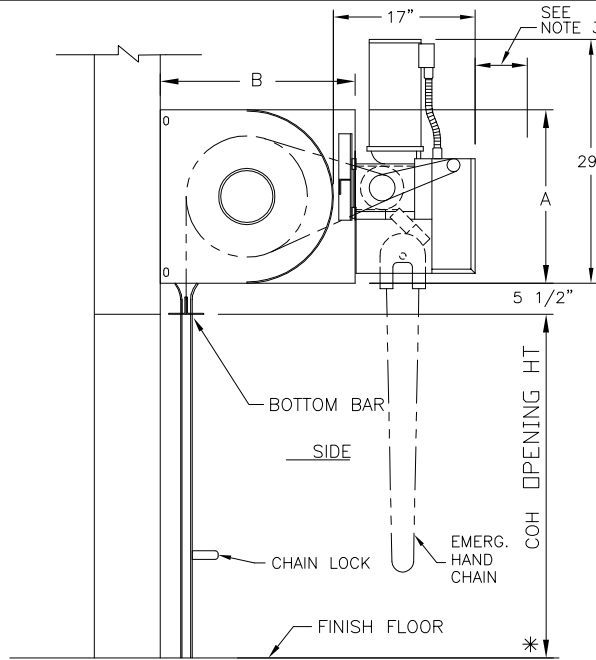
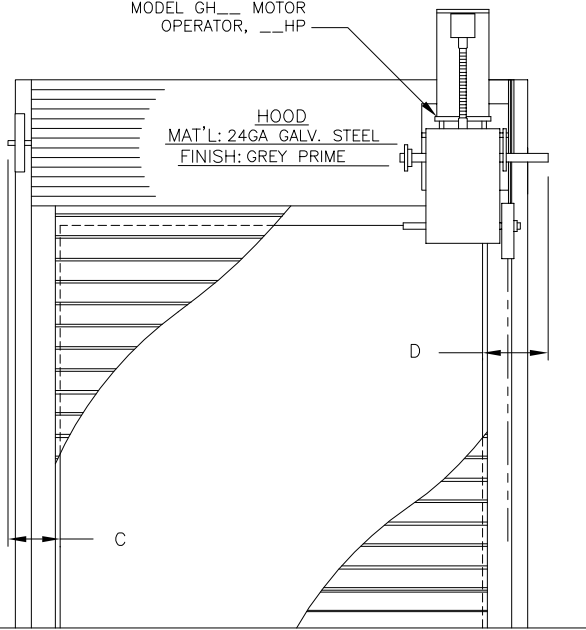
JOB: _____
CONTRACTOR: _____
ARCHITECT: _____
DISTRIBUTOR: _____

SERVICE DOOR || H MTR OPER || BTWJAMB

DRAWING NO. _____ OF _____

MODEL GH___ MOTOR OPERATOR, ___HP

HOOD
MAT'L: 24GA GALV. STEEL
FINISH: GREY PRIME



NOTES:

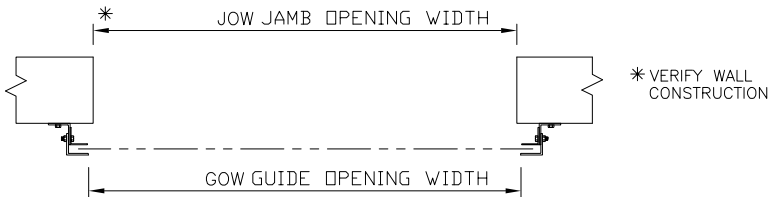
1. GENERAL SPECIFICATIONS SEE SHEET 1.
2. APPROX. WT. OF DOOR IS ___ WT LBS.
3. PROVIDE ADEQUATE CLEARANCE FOR WIRING MOTOR.
4. ELECTRICAL INFORMATION:
VOLTAGE _____ PHASE _____
CONTROLLER NEMA 1
CONTROL STATION NEMA 1
PUSH BUTTON SURFACE MTD
KEY STATION FLUSH MTD
5. DOOR DESIGNED FOR 25 CYCLES PER DAY.
6. DOOR DESIGNED TO WITHSTAND 20 PSF WINDLOAD.
7. THIS DRAWING COVERS GENERAL CONDITIONS, DIMS AND SPECIFICATIONS ONLY. DO NOT USE FOR INSTALLATION PURPOSES. INSTALLATION INSTRUCTIONS AND DIMENSIONS ARE INCLUDED WITH SHIPMENT.

DIMENSIONS AND CLEARANCES AS NOTED BY ASTERISK (*) MUST BE FIELD CHECKED.

VERIFIED BY: _____ ON: _____

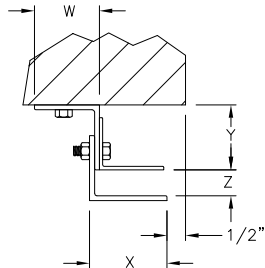
NO CANCELLATIONS OR RETURNS ON THIS ORDER:

Signature: _____

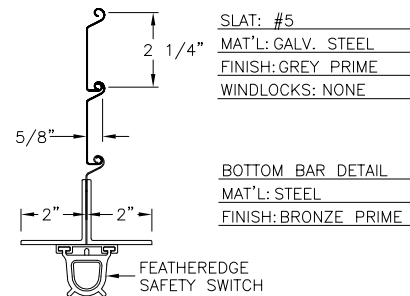
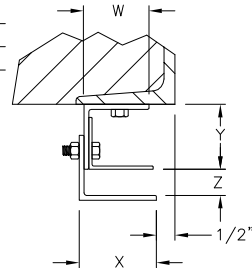


BOTTOM BAR LOCK			
TYPE	OPERATION		INTER LOCK
	INSIDE	OUTSIDE	
SLIDE BOLT	<input type="checkbox"/>	<input type="checkbox"/>	<input type="checkbox"/>
CYLINDER	<input type="checkbox"/>	<input type="checkbox"/>	<input type="checkbox"/>
NO LOCKING	<input type="checkbox"/>	<input type="checkbox"/>	<input type="checkbox"/>

GUIDE DETAIL TYPE 1
MAT'L: STEEL
FINISH: BRONZE PRIME



GUIDE DETAIL TYPE 2
MAT'L: STEEL
FINISH: BRONZE PRIME



MAKE	HAND	ARCH. MARK	DOOR MARK
	AS SHOWN		
	OPPOSITE		
<input type="checkbox"/>			
<input type="checkbox"/>			
<input type="checkbox"/>			
			ORIGINAL DRAWING
NO.	BY	DATE	REVISION

Amarr
ENTRE/MATIC

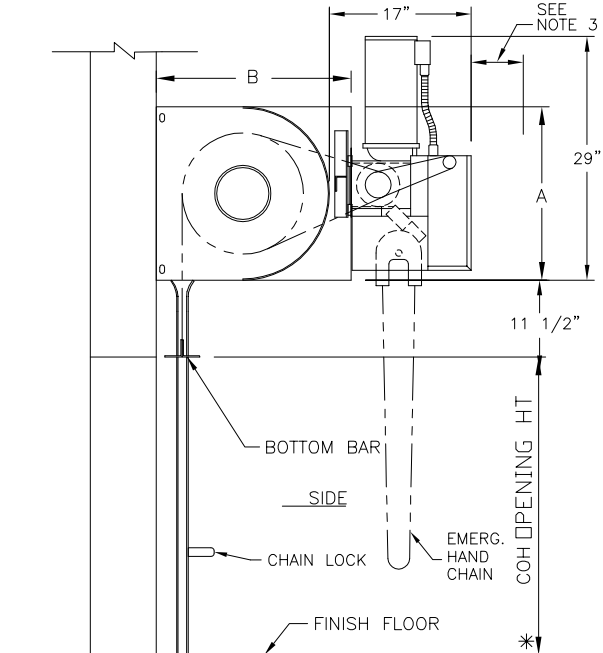
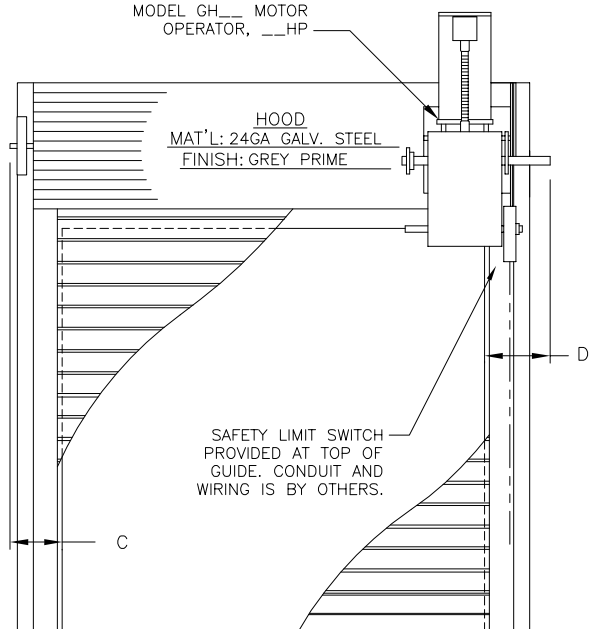
JOB:	
CONTRACTOR:	
ARCHITECT:	
DISTRIBUTOR:	
DRAWING NO.	OF

SERVICE DOOR || STD MNT GH MTR || FACEMTD

MODEL GH___ MOTOR
OPERATOR, ___HP

HOOD
MAT'L: 24GA GALV. STEEL
FINISH: GREY PRIME

SAFETY LIMIT SWITCH
PROVIDED AT TOP OF
GUIDE. CONDUIT AND
WIRING IS BY OTHERS.



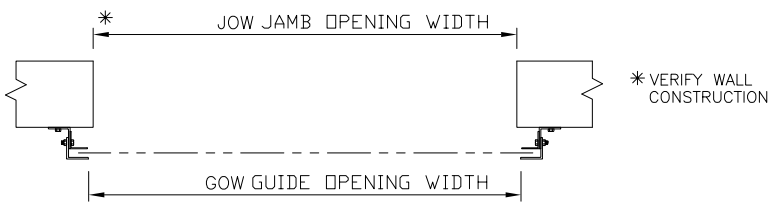
- NOTES:
- GENERAL SPECIFICATIONS SEE SHEET 1.
 - APPROX. WT. OF DOOR IS ___ WT LBS.
 - PROVIDE ADEQUATE CLEARANCE FOR WIRING MOTOR.
 - ELECTRICAL INFORMATION:
VOLTAGE _____ PHASE _____
CONTROLLER NEMA 1
CONTROL STATION NEMA 1
PUSH BUTTON SURFACE MTD
KEY STATION FLUSH MTD
 - DOOR DESIGNED FOR 50 CYCLES PER DAY. (HI-CYCLE)
 - DOOR DESIGNED TO WITHSTAND 20 PSF WINDLOAD.
 - THIS DRAWING COVERS GENERAL CONDITIONS, DIMS AND SPECIFICATIONS ONLY. DO NOT USE FOR INSTALLATION PURPOSES. INSTALLATION INSTRUCTIONS AND DIMENSIONS ARE INCLUDED WITH SHIPMENT.

DIMENSIONS AND CLEARANCES AS NOTED BY
ASTERISK (*) MUST BE FIELD CHECKED.

VERIFIED BY: _____ ON: _____

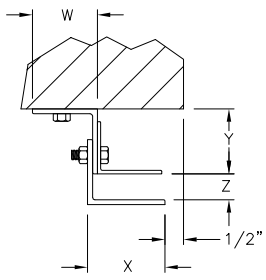
NO CANCELLATIONS OR RETURNS ON THIS ORDER:

Signature: _____

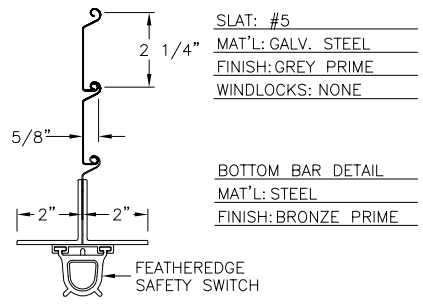
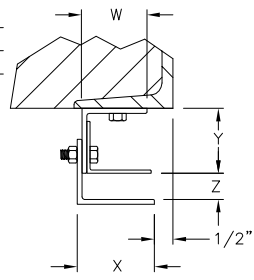


BOTTOM BAR LOCK			
TYPE	OPERATION		INTER LOCK
	INSIDE	OUTSIDE	
SLIDE BOLT	<input type="checkbox"/>	<input type="checkbox"/>	<input type="checkbox"/>
CYLINDER	<input type="checkbox"/>	<input type="checkbox"/>	<input type="checkbox"/>
NO LOCKING	<input type="checkbox"/>		<input type="checkbox"/>

GUIDE DETAIL TYPE 1
MAT'L: STEEL
FINISH: BRONZE PRIME



GUIDE DETAIL TYPE 2
MAT'L: STEEL
FINISH: BRONZE PRIME



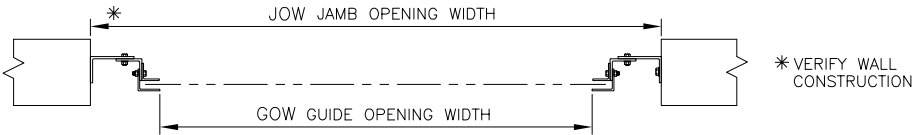
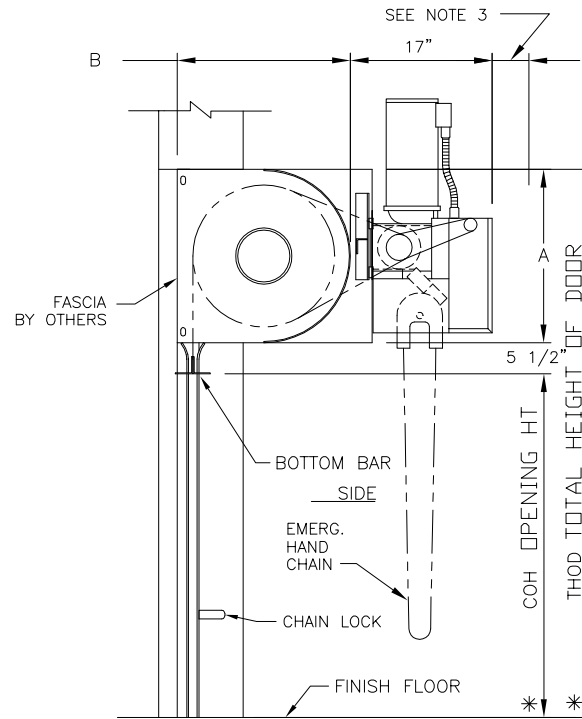
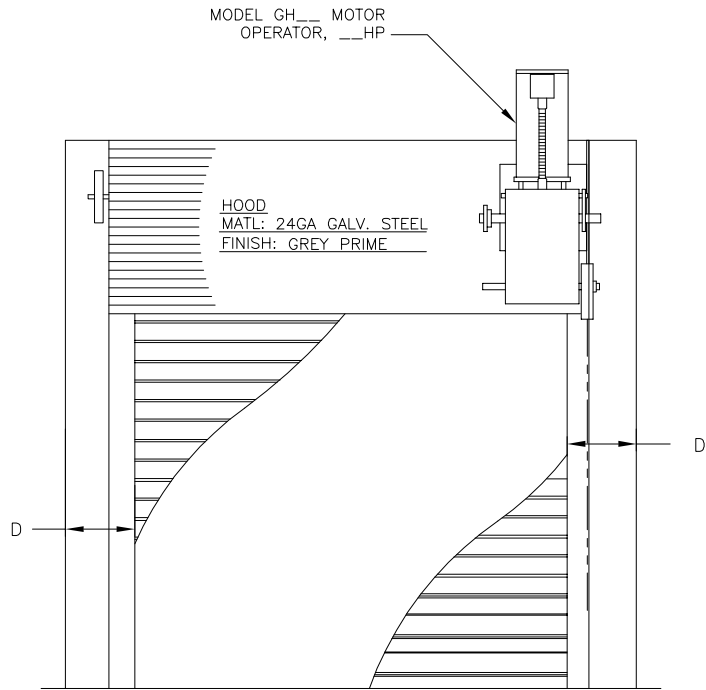
MAKE	HAND	ARCH. MARK	DOOR MARK
	AS SHOWN		
	OPPOSITE		
			ORIGINAL DRAWING
NO.	BY	DATE	REVISION



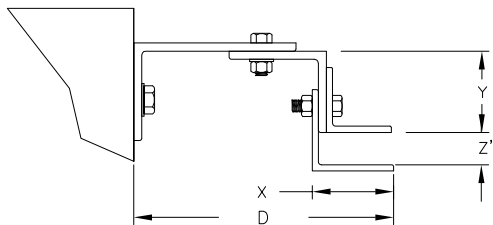
JOB: _____
CONTRACTOR: _____
ARCHITECT: _____
DISTRIBUTOR: _____

SERVICE DOOR || STD MNT GH MTR || HI-CYCLE || FACEMTD

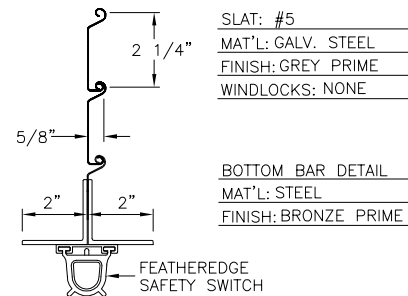
DRAWING NO. _____ OF _____



GUIDE DETAIL TYPE D
 MAT'L: STEEL
 FINISH: BRONZE PRIME



TYPE	OPERATION		INTER LOCK
	INSIDE	OUTSIDE	
SLIDE BOLT	<input type="checkbox"/>	<input type="checkbox"/>	<input type="checkbox"/>
CYLINDER	<input type="checkbox"/>	<input type="checkbox"/>	<input type="checkbox"/>
NO LOCKING	<input type="checkbox"/>		



SLAT: #5
 MAT'L: GALV. STEEL
 FINISH: GREY PRIME
 WINDLOCKS: NONE

BOTTOM BAR DETAIL
 MAT'L: STEEL
 FINISH: BRONZE PRIME

- NOTES:
1. GENERAL SPECIFICATIONS SEE SHEET 1.
 2. APPROX. WT. OF DOOR IS WT LBS.
 3. PROVIDE ADEQUATE CLEARANCE FOR WIRING MOTOR.
 4. ELECTRICAL INFORMATION:
 VOLTAGE _____ PHASE _____
 CONTROLLER NEMA 1
 CONTROL STATION NEMA 1
 PUSH BUTTON SURFACE MTD
 KEY STATION FLUSH MTD
 5. DOOR DESIGNED FOR 25 CYCLES PER DAY.
 6. DOOR DESIGNED TO WITHSTAND 20 PSF WINDLOAD.
 7. THIS DRAWING COVERS GENERAL CONDITIONS, DIMS AND SPECIFICATIONS ONLY. DO NOT USE FOR INSTALLATION PURPOSES. INSTALLATION INSTRUCTIONS AND DIMENSIONS ARE INCLUDED WITH SHIPMENT.

DIMENSIONS AND CLEARANCES AS NOTED BY ASTERISK (*) MUST BE FIELD CHECKED.
 VERIFIED BY: _____ ON: _____
 NO CANCELLATIONS OR RETURNS ON THIS ORDER:
 Signature: _____

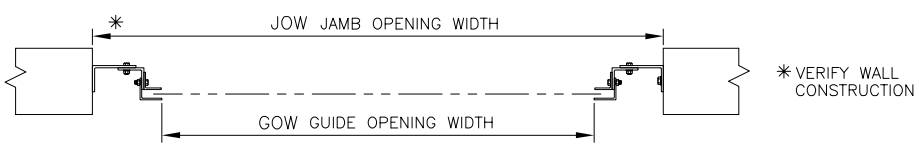
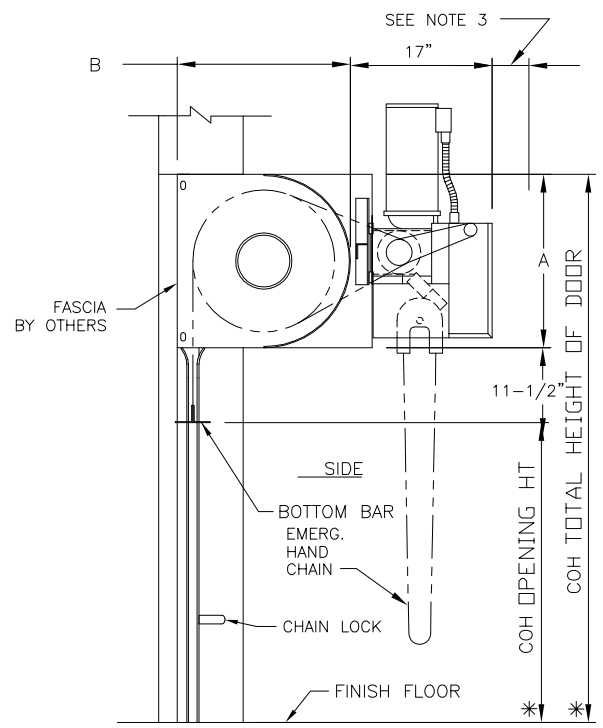
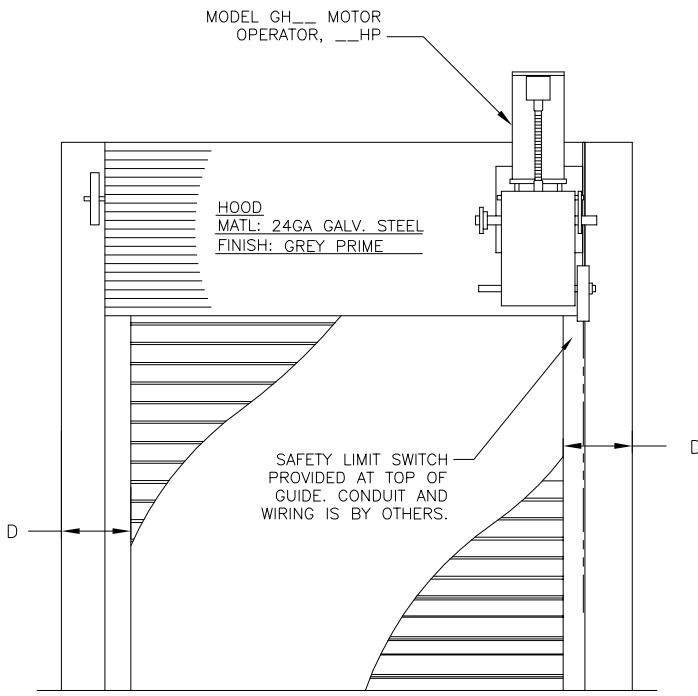
MAKE	HAND	ARCH. MARK	DOOR MARK
	AS SHOWN		
	OPPOSITE		

NO.	BY	DATE	REVISION
			ORIGINAL DRAWING

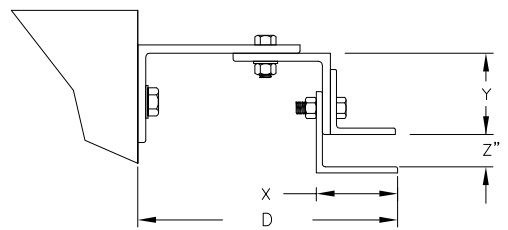
Amarr
ENTRE/MATIC

JOB:	
CONTRACTOR:	
ARCHITECT:	
DISTRIBUTOR:	
DRAWING NO.	OF

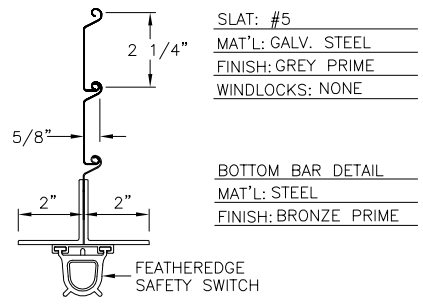
SERVICE DOOR || STD MNT GH MTR || BTWJAMB



GUIDE DETAIL TYPE D
MAT'L: STEEL
FINISH: BRONZE PRIME



BOTTOM BAR LOCK			
TYPE	OPERATION		INTER LOCK
	INSIDE	OUTSIDE	
SLIDE BOLT	<input type="checkbox"/>	<input type="checkbox"/>	<input type="checkbox"/>
CYLINDER	<input type="checkbox"/>	<input type="checkbox"/>	<input type="checkbox"/>
NO LOCKING	<input type="checkbox"/>		



- NOTES:
- GENERAL SPECIFICATIONS SEE SHEET 1.
 - APPROX. WT. OF DOOR IS ___ WT LBS.
 - PROVIDE ADEQUATE CLEARANCE FOR WIRING MOTOR.
 - ELECTRICAL INFORMATION:
VOLTAGE _____ PHASE _____
CONTROLLER NEMA 1
CONTROL STATION NEMA 1
PUSH BUTTON SURFACE MTD
KEY STATION FLUSH MTD
 - DOOR DESIGNED FOR 50 CYCLES PER DAY. (HI-CYCLE)
 - DOOR DESIGNED TO WITHSTAND 20 PSF WINDLOAD.
 - THIS DRAWING COVERS GENERAL CONDITIONS, DIMS AND SPECIFICATIONS ONLY. DO NOT USE FOR INSTALLATION PURPOSES. INSTALLATION INSTRUCTIONS AND DIMENSIONS ARE INCLUDED WITH SHIPMENT.

DIMENSIONS AND CLEARANCES AS NOTED BY ASTERISK (*) MUST BE FIELD CHECKED.

VERIFIED BY: _____ ON: _____

NO CANCELLATIONS OR RETURNS ON THIS ORDER:

Signature: _____

MAKE	HAND	ARCH. MARK	DOOR MARK
	AS SHOWN		
	OPPOSITE		

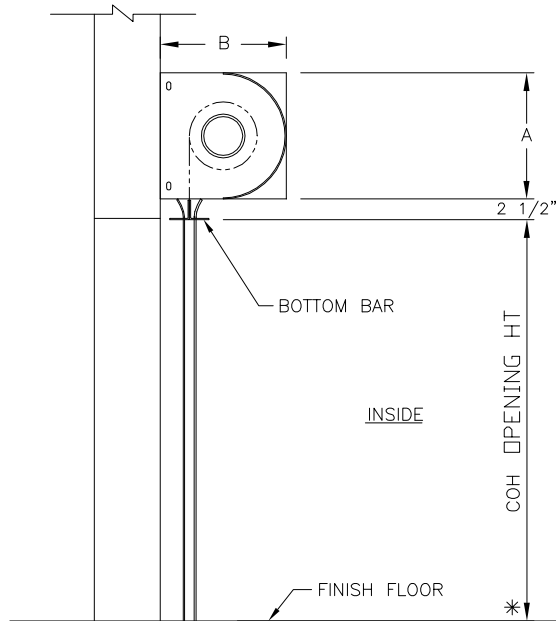
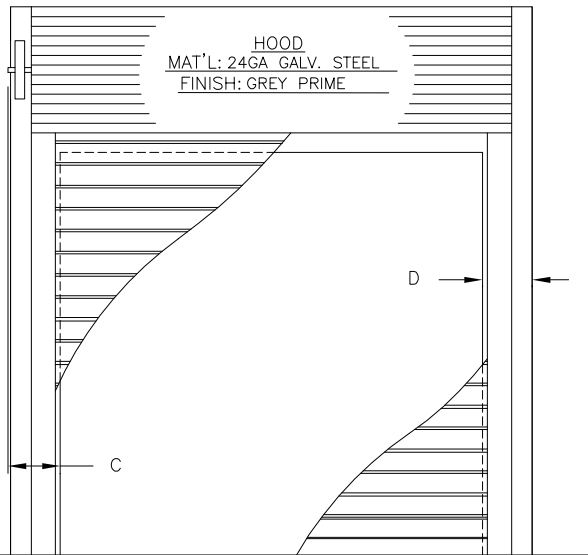
NO.	BY	DATE	REVISION
			ORIGINAL DRAWING



JOB: _____
CONTRACTOR: _____
ARCHITECT: _____
DISTRIBUTOR: _____

SERVICE DOOR || STD MNT GH MTR || HI-CYCLE || BTWJAMB

DRAWING NO. _____ OF _____



NOTES:

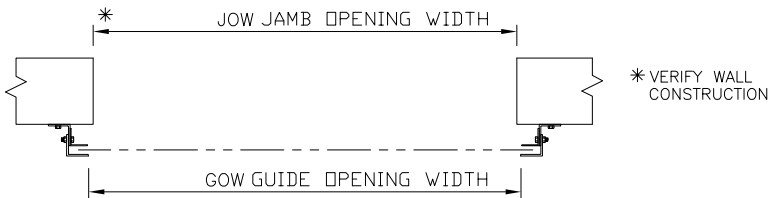
1. GENERAL SPECIFICATIONS SEE SHEET 1.
2. APPROX. WT. OF DOOR IS WT LBS.
3. DOOR DESIGNED TO WITHSTAND 20 PSF WINDLOAD.
4. THIS DRAWING COVERS GENERAL CONDITIONS, DIMS, AND SPECIFICATIONS ONLY. DO NOT USE FOR INSTALLATION PURPOSES, INSTALLATION INSTRUCTIONS AND DIMENSIONS ARE INCLUDED WITH SHIPMENT.

DIMENSIONS AND CLEARANCES AS NOTED BY ASTERISK (*) MUST BE FIELD CHECKED.

VERIFIED BY: _____ ON: _____

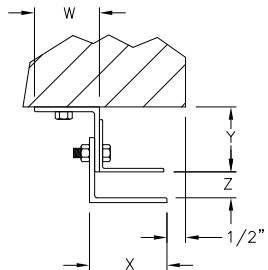
NO CANCELLATIONS OR RETURNS ON THIS ORDER:

Signature: _____

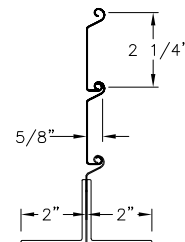
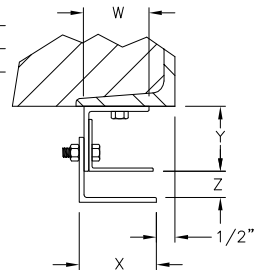


BOTTOM BAR LOCK		
TYPE	OPERATION	
	INSIDE	OUTSIDE
SLIDE BOLT	<input checked="" type="checkbox"/>	<input type="checkbox"/>
CYLINDER	<input type="checkbox"/>	<input type="checkbox"/>
NO LOCKING	<input type="checkbox"/>	

GUIDE DETAIL TYPE 1
MAT'L: STEEL
FINISH: BRONZE PRIME



GUIDE DETAIL TYPE 2
MAT'L: STEEL
FINISH: BRONZE PRIME



SLAT: #5
MAT'L: GALV. STEEL
FINISH: GREY PRIME
WINDLOCKS: NONE

BOTTOM BAR DETAIL
MAT'L: STEEL
FINISH: BRONZE PRIME

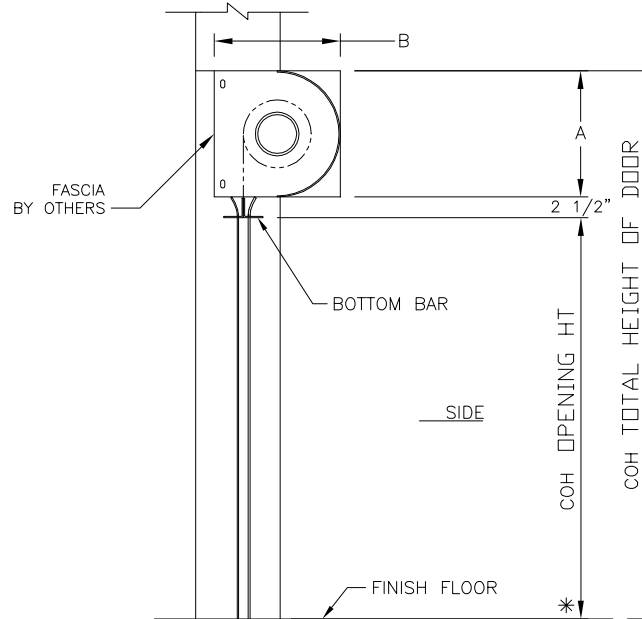
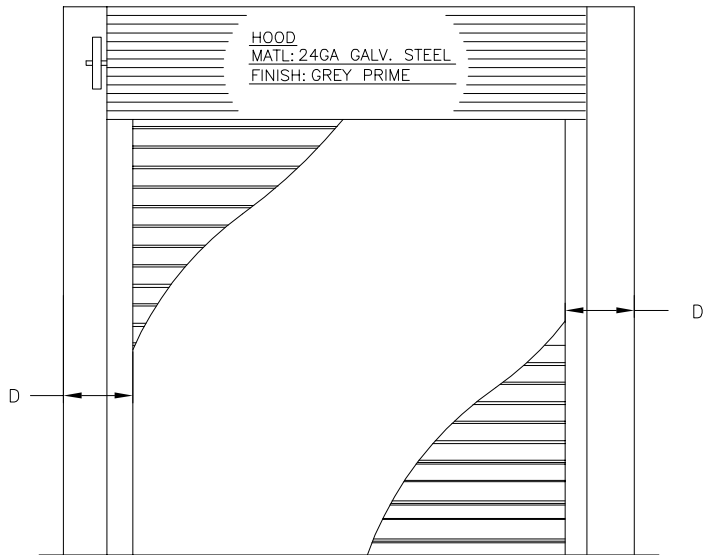
MAKE	HAND	ARCH. MARK	DOOR MARK
	AS SHOWN		
	OPPOSITE		
			ORIGINAL DRAWING
NO.	BY	DATE	REVISION



JOB: _____
CONTRACTOR: _____
ARCHITECT: _____
DISTRIBUTOR: _____

SERVICE DOOR || PUSHUP || FACEMTD

DRAWING NO. _____ OF _____



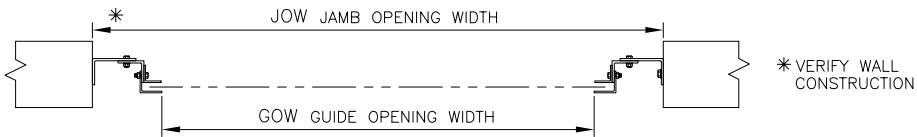
- NOTES:
1. GENERAL SPECIFICATIONS SEE SHEET 1.
 2. APPROX. WT. OF DOOR IS WT LBS.
 3. DOOR DESIGNED TO WITHSTAND 20 PSF WINDLOAD.
 4. THIS DRAWING COVERS GENERAL CONDITIONS, DIMS, AND SPECIFICATIONS ONLY. DO NOT USE FOR INSTALLATION PURPOSES, INSTALLATION INSTRUCTIONS AND DIMENSIONS ARE INCLUDED WITH SHIPMENT.

DIMENSIONS AND CLEARANCES AS NOTED BY ASTERISK (*) MUST BE FIELD CHECKED.

VERIFIED BY: _____ ON: _____

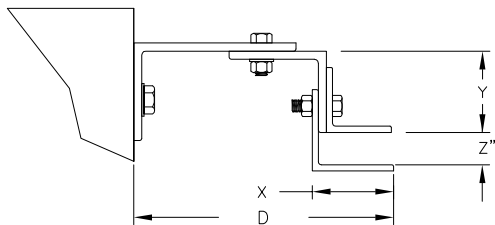
NO CANCELLATIONS OR RETURNS ON THIS ORDER:

Signature: _____

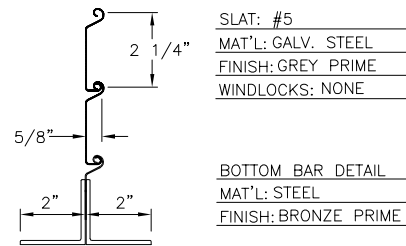


* VERIFY WALL CONSTRUCTION

GUIDE_DETAIL TYPE D
MAT'L: STEEL
FINISH: BRONZE PRIME



BOTTOM BAR LOCK		
TYPE	OPERATION	
	INSIDE	OUTSIDE
SLIDE BOLT	<input checked="" type="checkbox"/>	<input type="checkbox"/>
CYLINDER	<input type="checkbox"/>	<input type="checkbox"/>
NO LOCKING	<input type="checkbox"/>	

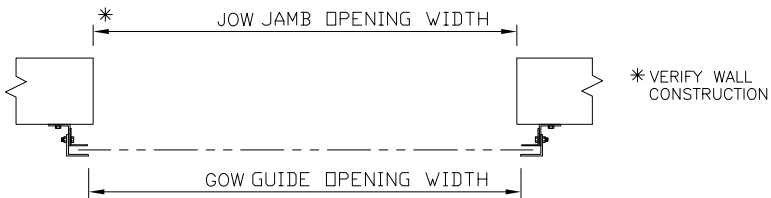
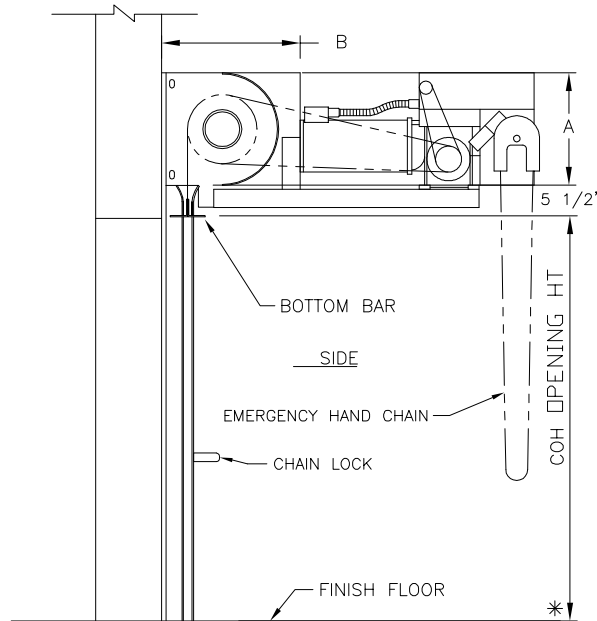
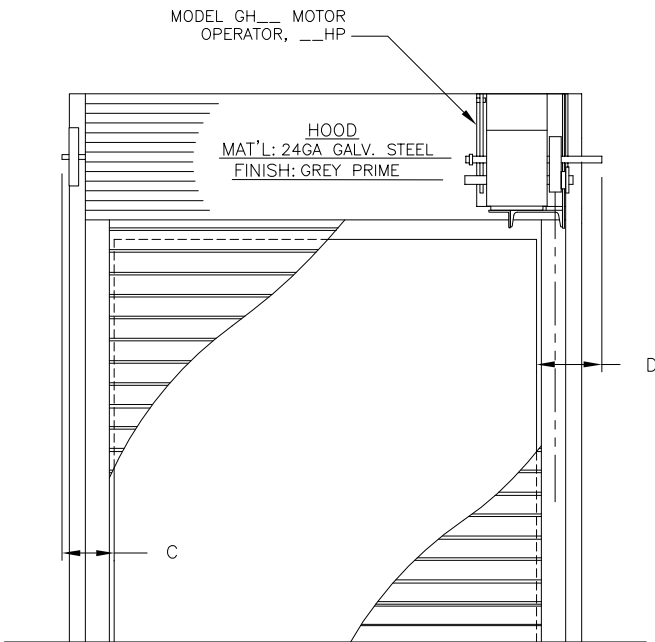


MAKE	HAND	ARCH. MARK	DOOR MARK
	AS SHOWN		
	OPPOSITE		
			ORIGINAL DRAWING
NO.	BY	DATE	REVISION

Amarr
ENTRE/MATIC

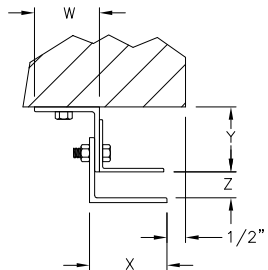
JOB: _____
CONTRACTOR: _____
ARCHITECT: _____
DISTRIBUTOR: _____
DRAWING NO. _____ OF _____

SERVICE DOOR || PUSHUP || BTWJAMB

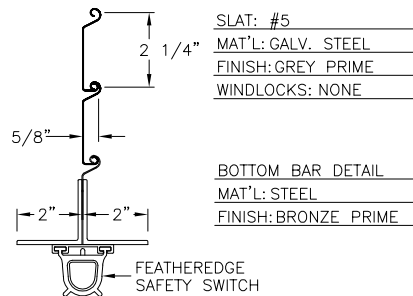
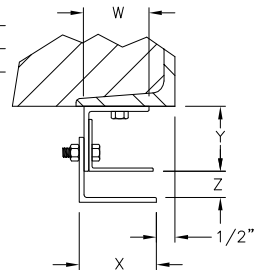


BOTTOM BAR LOCK			
TYPE	OPERATION		INTER LOCK
	INSIDE	OUTSIDE	
SLIDE BOLT	<input type="checkbox"/>	<input type="checkbox"/>	<input type="checkbox"/>
CYLINDER	<input type="checkbox"/>	<input type="checkbox"/>	
NO LOCKING	<input type="checkbox"/>		

GUIDE DETAIL TYPE 1
MAT'L: STEEL
FINISH: BRONZE PRIME



GUIDE DETAIL TYPE 2
MAT'L: STEEL
FINISH: BRONZE PRIME



SLAT: #5
MAT'L: GALV. STEEL
FINISH: GREY PRIME
WINDLOCKS: NONE

BOTTOM BAR DETAIL
MAT'L: STEEL
FINISH: BRONZE PRIME

FEATHEREDGE SAFETY SWITCH

NOTES:

- GENERAL SPECIFICATIONS SEE SHEET 1.
- APPROX. WT. OF DOOR IS _____ WT LBS.
- PROVIDE ADEQUATE CLEARANCE FOR WIRING MOTOR.
- ELECTRICAL INFORMATION:
VOLTAGE _____ PHASE _____
CONTROLLER NEMA 1
CONTROL STATION NEMA 1
PUSH BUTTON SURFACE MTD
KEY STATION FLUSH MTD
- DOOR DESIGNED FOR 25 CYCLES PER DAY.
- DOOR DESIGNED TO WITHSTAND 20 PSF WINDLOAD.
- THIS DRAWING COVERS GENERAL CONDITIONS, DIMS AND SPECIFICATIONS ONLY. DO NOT USE FOR INSTALLATION PURPOSES. INSTALLATION INSTRUCTIONS AND DIMENSIONS ARE INCLUDED WITH SHIPMENT.

DIMENSIONS AND CLEARANCES AS NOTED BY ASTERISK (*) MUST BE FIELD CHECKED.

VERIFIED BY: _____ ON: _____

NO CANCELLATIONS OR RETURNS ON THIS ORDER:

Signature: _____

MAKE	HAND	ARCH. MARK	DOOR MARK
	AS SHOWN		
	OPPOSITE		
			ORIGINAL DRAWING
NO.	BY	DATE	REVISION



JOB: _____
CONTRACTOR: _____
ARCHITECT: _____
DISTRIBUTOR: _____

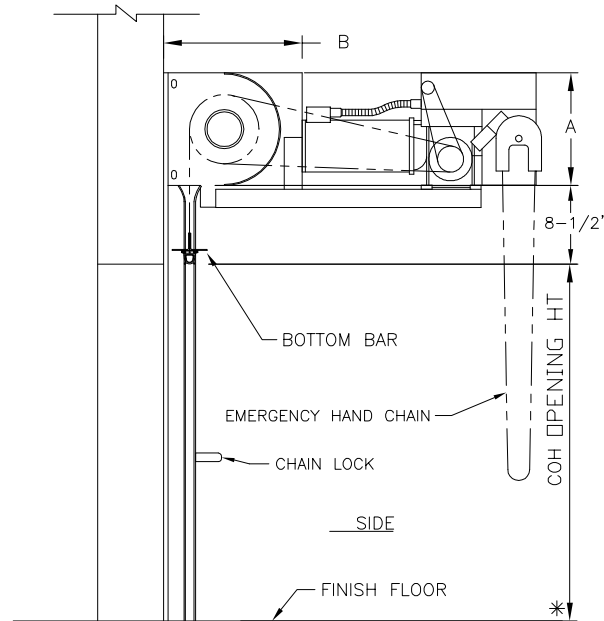
SERVICE DOOR || HORIZ MNT GH MTR || FACEMTD

DRAWING NO. _____ OF _____

MODEL GH___ MOTOR
OPERATOR, ___HP

HOOD
MAT'L: 24GA GALV. STEEL
FINISH: GREY PRIME

SAFETY LIMIT SWITCH
PROVIDED AT TOP OF
GUIDE. CONDUIT AND
WIRING IS BY OTHERS.



NOTES:

1. GENERAL SPECIFICATIONS SEE SHEET 1.
2. APPROX. WT. OF DOOR IS _____ WT LBS.
3. PROVIDE ADEQUATE CLEARANCE FOR WIRING MOTOR.
4. ELECTRICAL INFORMATION:
VOLTAGE _____ PHASE _____
CONTROLLER NEMA 1
CONTROL STATION NEMA 1
PUSH BUTTON SURFACE MTD
KEY STATION FLUSH MTD
5. DOOR DESIGNED FOR 50 CYCLES PER DAY. (HI-CYCLE)
6. DOOR DESIGNED TO WITHSTAND 20 PSF WINDLOAD.
7. THIS DRAWING COVERS GENERAL CONDITIONS, DIMS AND SPECIFICATIONS ONLY. DO NOT USE FOR INSTALLATION PURPOSES. INSTALLATION INSTRUCTIONS AND DIMENSIONS ARE INCLUDED WITH SHIPMENT.

DIMENSIONS AND CLEARANCES AS NOTED BY
ASTERISK (*) MUST BE FIELD CHECKED.

VERIFIED BY: _____ ON: _____

NO CANCELLATIONS OR RETURNS ON THIS ORDER:

Signature: _____

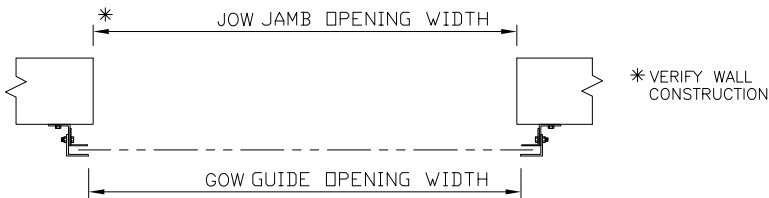
MAKE	HAND	ARCH. MARK	DOOR MARK
	AS SHOWN		
	OPPOSITE		

<input type="checkbox"/>				
<input type="checkbox"/>				
<input type="checkbox"/>				
				ORIGINAL DRAWING
NO.	BY	DATE		REVISION

Amarr
ENTRE/MATIC

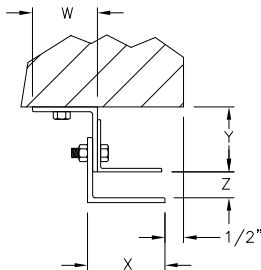
JOB: _____
CONTRACTOR: _____
ARCHITECT: _____
DISTRIBUTOR: _____

DRAWING NO. _____ OF _____

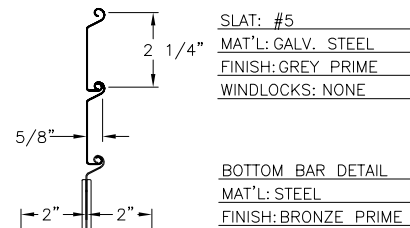
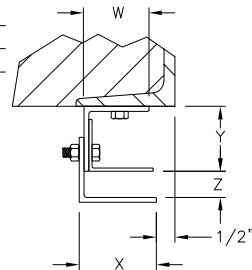


TYPE	OPERATION		INTER LOCK
	INSIDE	OUTSIDE	
SLIDE BOLT	<input type="checkbox"/>	<input type="checkbox"/>	<input type="checkbox"/>
CYLINDER	<input type="checkbox"/>	<input type="checkbox"/>	<input type="checkbox"/>
NO LOCKING	<input type="checkbox"/>		<input type="checkbox"/>

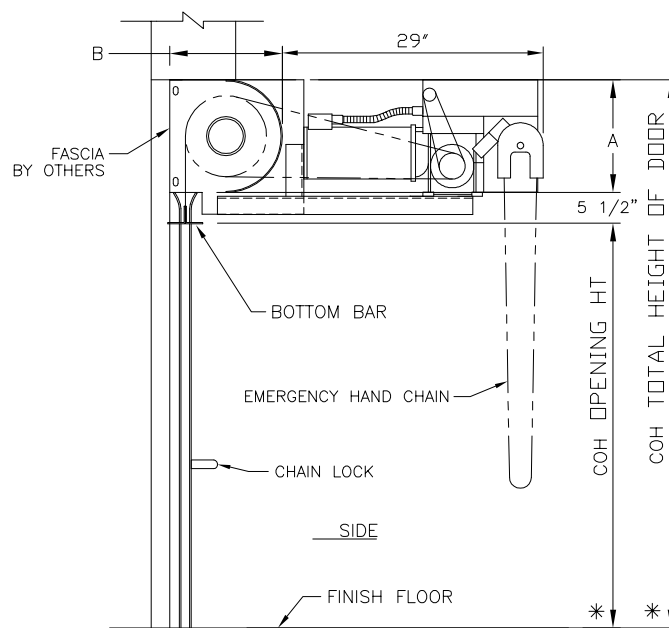
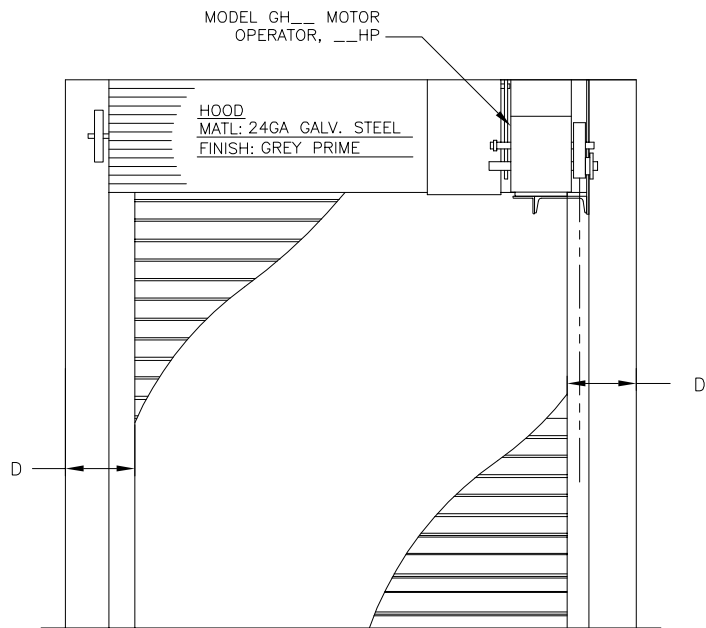
GUIDE DETAIL TYPE 1
MAT'L: STEEL
FINISH: BRONZE PRIME



GUIDE DETAIL TYPE 2
MAT'L: STEEL
FINISH: BRONZE PRIME



SERVICE DOOR || HORIZ MNT GH MTR || HI-CYCLE || FACEMTD



NOTES:

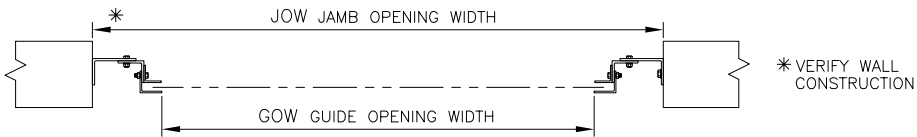
1. GENERAL SPECIFICATIONS SEE SHEET 1.
2. APPROX. WT. OF DOOR IS _____ WT LBS.
3. PROVIDE ADEQUATE CLEARANCE FOR WIRING MOTOR.
4. ELECTRICAL INFORMATION:
 VOLTAGE _____ PHASE _____
 CONTROLLER NEMA 1
 CONTROL STATION NEMA 1
 PUSH BUTTON SURFACE MTD
 KEY STATION FLUSH MTD
5. DOOR DESIGNED FOR 25 CYCLES PER DAY.
6. DOOR DESIGNED TO WITHSTAND 20 PSF WINDLOAD.
7. THIS DRAWING COVERS GENERAL CONDITIONS, DIMS AND SPECIFICATIONS ONLY. DO NOT USE FOR INSTALLATION PURPOSES. INSTALLATION INSTRUCTIONS AND DIMENSIONS ARE INCLUDED WITH SHIPMENT.

DIMENSIONS AND CLEARANCES AS NOTED BY ASTERISK (*) MUST BE FIELD CHECKED.

VERIFIED BY: _____ ON: _____

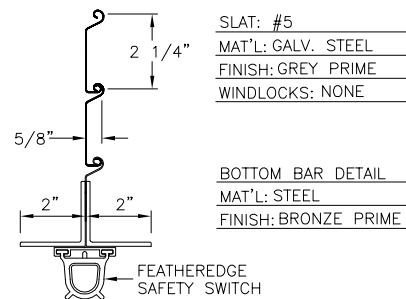
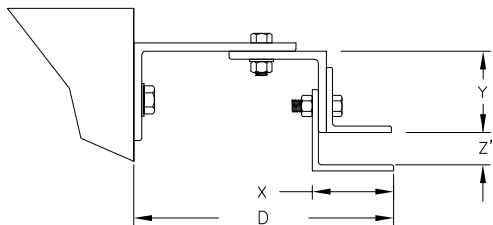
NO CANCELLATIONS OR RETURNS ON THIS ORDER:

Signature: _____



BOTTOM BAR LOCK			
TYPE	OPERATION		INTER LOCK
	INSIDE	OUTSIDE	
SLIDE BOLT	<input type="checkbox"/>	<input type="checkbox"/>	<input type="checkbox"/>
CYLINDER	<input type="checkbox"/>	<input type="checkbox"/>	<input type="checkbox"/>
NO LOCKING	<input type="checkbox"/>		<input type="checkbox"/>

GUIDE DETAIL TYPE D
 MAT'L: STEEL
 FINISH: BRONZE PRIME



MAKE	HAND	ARCH. MARK	DOOR MARK
	AS SHOWN		
	OPPOSITE		

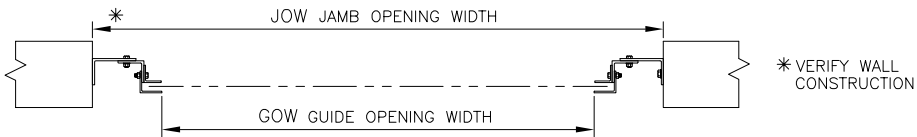
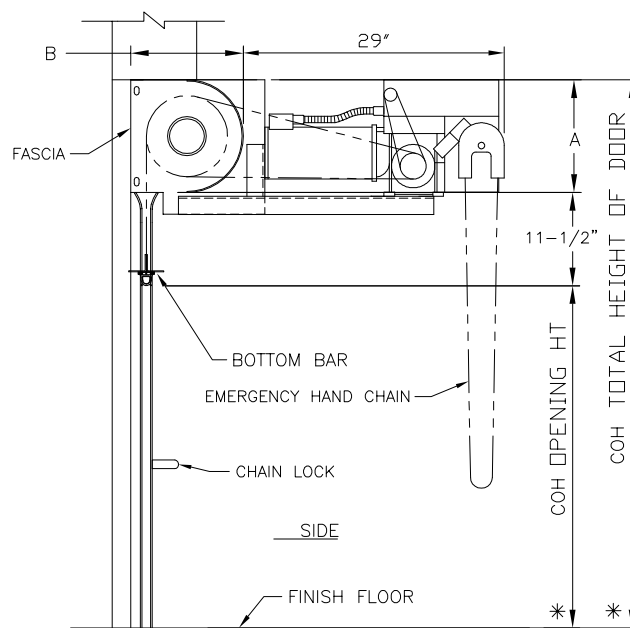
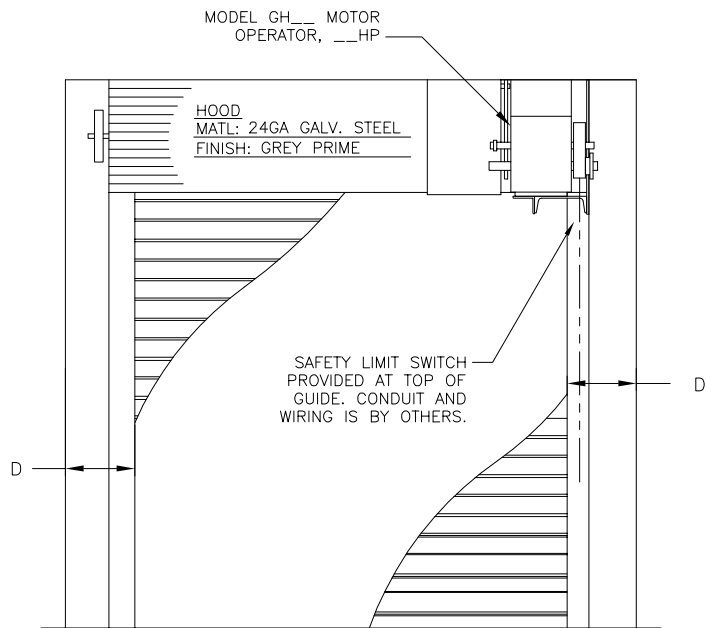
NO.	BY	DATE	REVISION
			ORIGINAL DRAWING



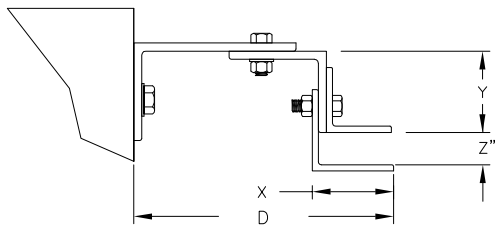
JOB: _____
 CONTRACTOR: _____
 ARCHITECT: _____
 DISTRIBUTOR: _____

SERVICE DOOR || HORIZ MNT GH MTR || BTWJAMB

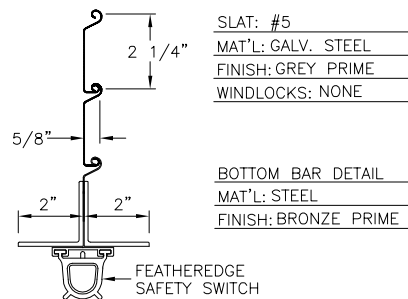
DRAWING NO. _____ OF _____



GUIDE DETAIL TYPE D
MAT'L: STEEL
FINISH: BRONZE PRIME



BOTTOM BAR LOCK			
TYPE	OPERATION		INTER LOCK
	INSIDE	OUTSIDE	
SLIDE BOLT	<input type="checkbox"/>	<input type="checkbox"/>	<input type="checkbox"/>
CYLINDER	<input type="checkbox"/>	<input type="checkbox"/>	<input type="checkbox"/>
NO LOCKING	<input type="checkbox"/>		<input type="checkbox"/>



NOTES:

- GENERAL SPECIFICATIONS SEE SHEET 1.
- APPROX. WT. OF DOOR IS _____ WT LBS.
- PROVIDE ADEQUATE CLEARANCE FOR WIRING MOTOR.
- ELECTRICAL INFORMATION:
VOLTAGE _____ PHASE _____
CONTROLLER NEMA 1
CONTROL STATION NEMA 1
PUSH BUTTON SURFACE MTD
KEY STATION FLUSH MTD
- DOOR DESIGNED FOR 50 CYCLES PER DAY. (HI-CYCLE)
- DOOR DESIGNED TO WITHSTAND 20 PSF WINDLOAD.
- THIS DRAWING COVERS GENERAL CONDITIONS, DIMS AND SPECIFICATIONS ONLY. DO NOT USE FOR INSTALLATION PURPOSES. INSTALLATION INSTRUCTIONS AND DIMENSIONS ARE INCLUDED WITH SHIPMENT.

DIMENSIONS AND CLEARANCES AS NOTED BY ASTERISK (*) MUST BE FIELD CHECKED.

VERIFIED BY: _____ ON: _____

NO CANCELLATIONS OR RETURNS ON THIS ORDER:

Signature: _____

MAKE	HAND	ARCH. MARK	DOOR MARK
	AS SHOWN		
	OPPOSITE		

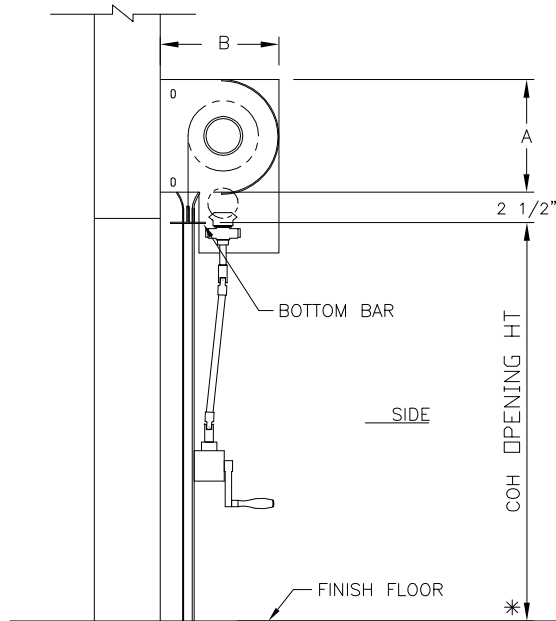
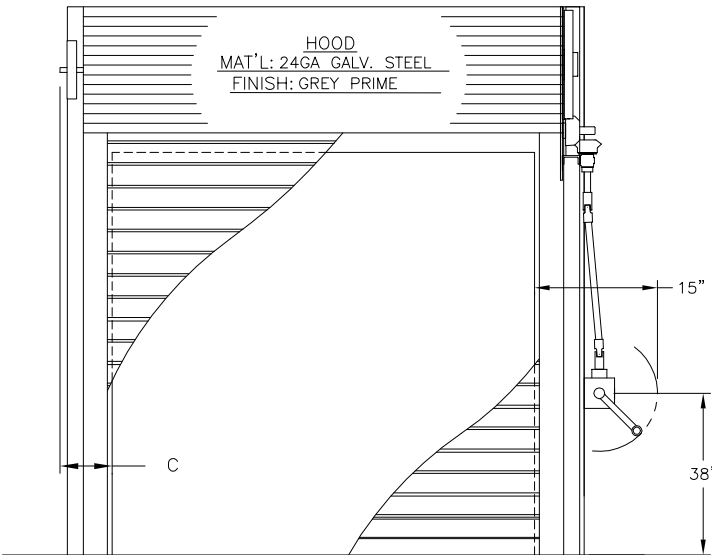
NO.	BY	DATE	REVISION
			ORIGINAL DRAWING

Amarr
ENTRE/MATIC

JOB: _____
CONTRACTOR: _____
ARCHITECT: _____
DISTRIBUTOR: _____

SERVICE DOOR || HORIZ MNT GH MTR || HI-CYCLE || BTWJAMB

DRAWING NO. _____ OF _____



NOTES:

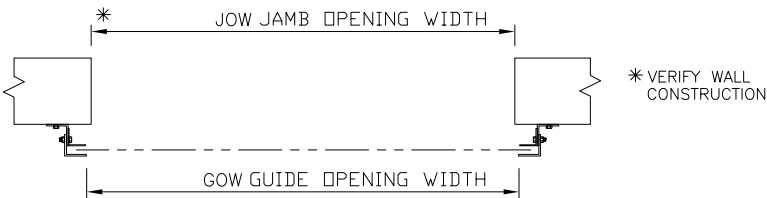
1. GENERAL SPECIFICATIONS SEE SHEET 1.
2. APPROX. WT. OF DOOR IS WT LBS.
3. DOOR DESIGNED TO WITHSTAND 20 PSF WINDLOAD.
4. THIS DRAWING COVERS GENERAL CONDITIONS, DIMS, AND SPECIFICATIONS ONLY. DO NOT USE FOR INSTALLATION PURPOSES, INSTALLATION INSTRUCTIONS AND DIMENSIONS ARE INCLUDED WITH SHIPMENT.

DIMENSIONS AND CLEARANCES AS NOTED BY ASTERISK (*) MUST BE FIELD CHECKED.

VERIFIED BY: _____ ON: _____

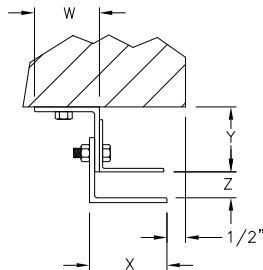
NO CANCELLATIONS OR RETURNS ON THIS ORDER:

Signature: _____

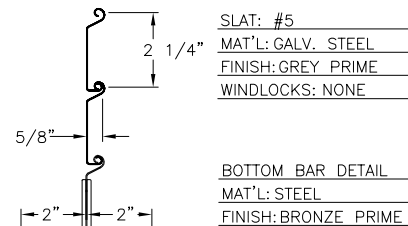
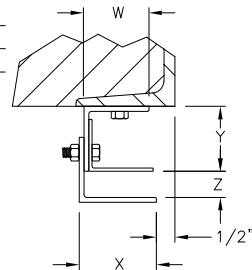


BOTTOM BAR LOCK		
TYPE	OPERATION	
	INSIDE	OUTSIDE
SLIDE BOLT	<input type="checkbox"/>	<input type="checkbox"/>
CYLINDER	<input type="checkbox"/>	<input type="checkbox"/>
NO LOCKING	<input type="checkbox"/>	

GUIDE DETAIL TYPE 1
MAT'L: STEEL
FINISH: BRONZE PRIME



GUIDE DETAIL TYPE 2
MAT'L: STEEL
FINISH: BRONZE PRIME

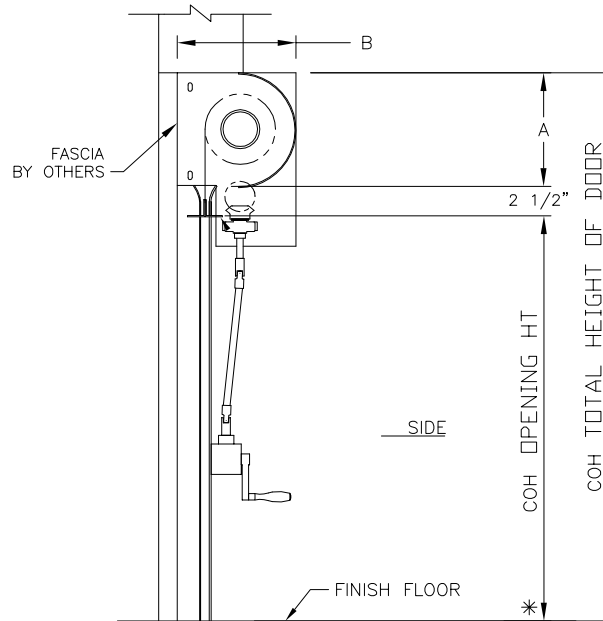
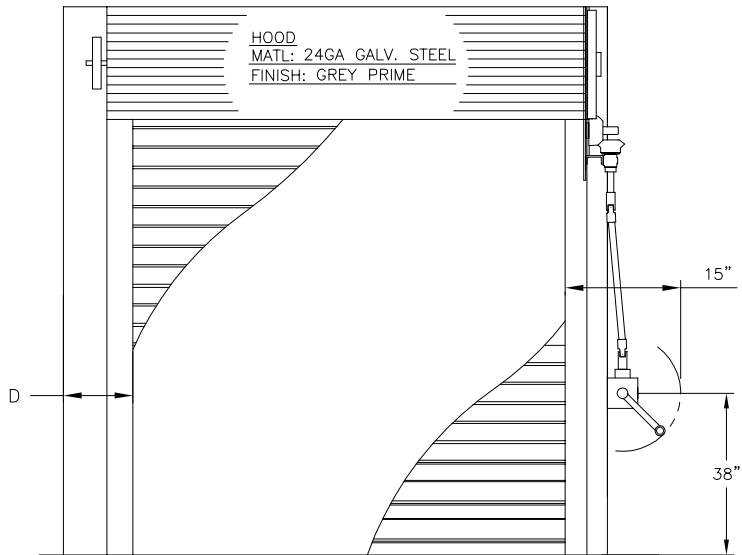


SERVICE DOOR || CRANK OPER || FACEMTD

MAKE	HAND	ARCH. MARK	DOOR MARK
	AS SHOWN		
	OPPOSITE		
			ORIGINAL DRAWING
NO.	BY	DATE	REVISION



JOB:	
CONTRACTOR:	
ARCHITECT:	
DISTRIBUTOR:	
DRAWING NO.	OF



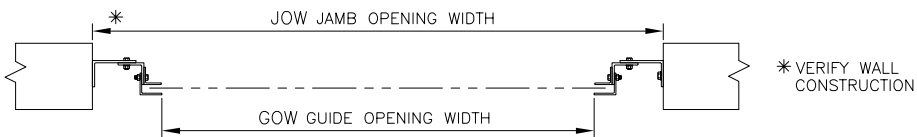
- NOTES:
1. GENERAL SPECIFICATIONS SEE SHEET 1.
 2. APPROX. WT. OF DOOR IS WT LBS.
 3. DOOR DESIGNED TO WITHSTAND 20 PSF WINDLOAD.
 4. THIS DRAWING COVERS GENERAL CONDITIONS, DIMS, AND SPECIFICATIONS ONLY. DO NOT USE FOR INSTALLATION PURPOSES, INSTALLATION INSTRUCTIONS AND DIMENSIONS ARE INCLUDED WITH SHIPMENT.

DIMENSIONS AND CLEARANCES AS NOTED BY ASTERISK (*) MUST BE FIELD CHECKED.

VERIFIED BY: _____ ON: _____

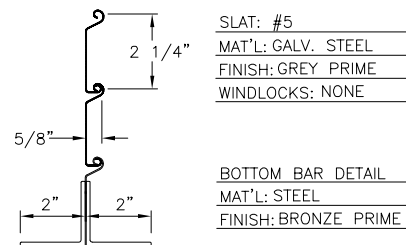
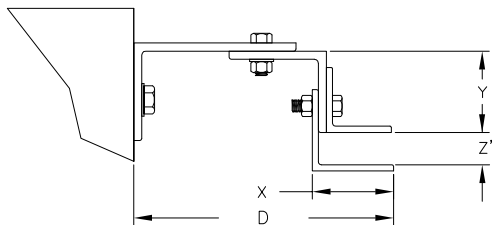
NO CANCELLATIONS OR RETURNS ON THIS ORDER:

Signature: _____



BOTTOM BAR LOCK		
TYPE	OPERATION	
	INSIDE	OUTSIDE
SLIDE BOLT	<input type="checkbox"/>	<input type="checkbox"/>
CYLINDER	<input type="checkbox"/>	<input type="checkbox"/>
NO LOCKING	<input type="checkbox"/>	

GUIDE DETAIL TYPE D
 MAT'L: STEEL
 FINISH: BRONZE PRIME



MAKE	HAND	ARCH. MARK	DOOR MARK
	AS SHOWN		
	OPPOSITE		
			ORIGINAL DRAWING
NO.	BY	DATE	REVISION



JOB: _____

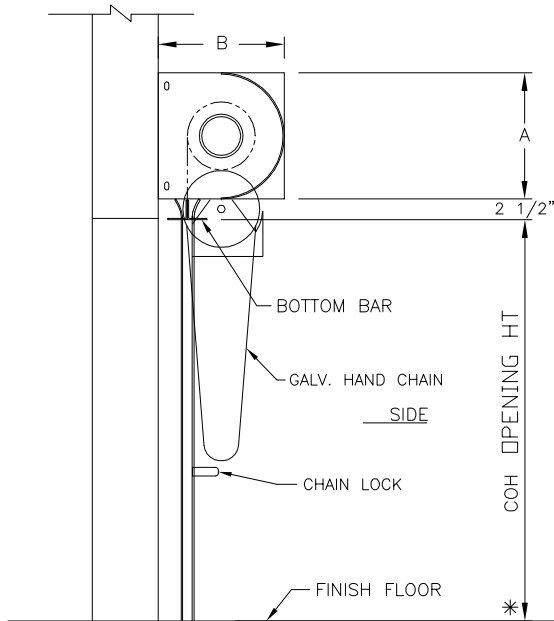
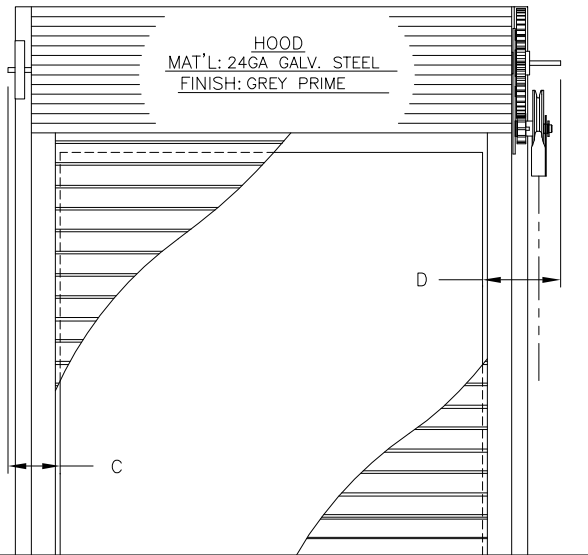
CONTRACTOR: _____

ARCHITECT: _____

DISTRIBUTOR: _____

DRAWING NO. _____ OF _____

SERVICE DOOR || CRANK OPER || BTWJAMB



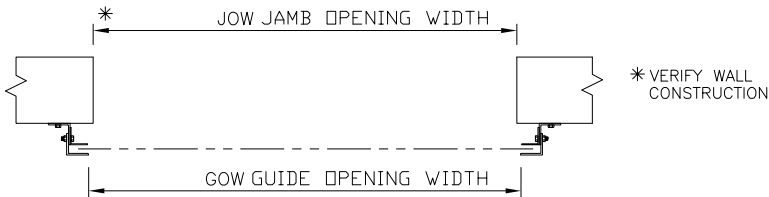
- NOTES:
1. GENERAL SPECIFICATIONS SEE SHEET 1.
 2. APPROX. WT. OF DOOR IS WT LBS.
 3. DOOR DESIGNED TO WITHSTAND 20 PSF WINDLOAD.
 4. THIS DRAWING COVERS GENERAL CONDITIONS, DIMS, AND SPECIFICATIONS ONLY. DO NOT USE FOR INSTALLATION PURPOSES, INSTALLATION INSTRUCTIONS AND DIMENSIONS ARE INCLUDED WITH SHIPMENT.

DIMENSIONS AND CLEARANCES AS NOTED BY ASTERISK (*) MUST BE FIELD CHECKED.

VERIFIED BY: _____ ON: _____

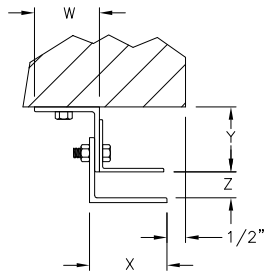
NO CANCELLATIONS OR RETURNS ON THIS ORDER:

Signature: _____

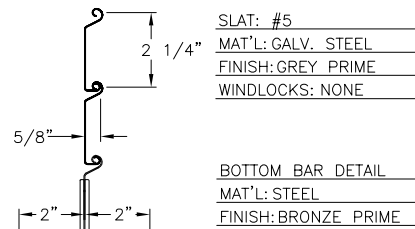
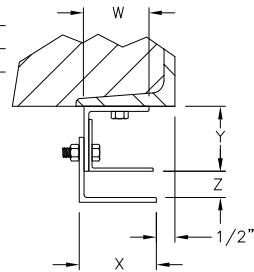


BOTTOM BAR LOCK		
TYPE	OPERATION	
	INSIDE	OUTSIDE
SLIDE BOLT	<input type="checkbox"/>	<input type="checkbox"/>
CYLINDER	<input type="checkbox"/>	<input type="checkbox"/>
NO LOCKING	<input type="checkbox"/>	

GUIDE DETAIL TYPE 1
MAT'L: STEEL
FINISH: BRONZE PRIME



GUIDE DETAIL TYPE 2
MAT'L: STEEL
FINISH: BRONZE PRIME



MAKE	HAND	ARCH. MARK	DOOR MARK
	AS SHOWN		
	OPPOSITE		
			ORIGINAL DRAWING
NO.	BY	DATE	REVISION



JOB: _____

CONTRACTOR: _____

ARCHITECT: _____

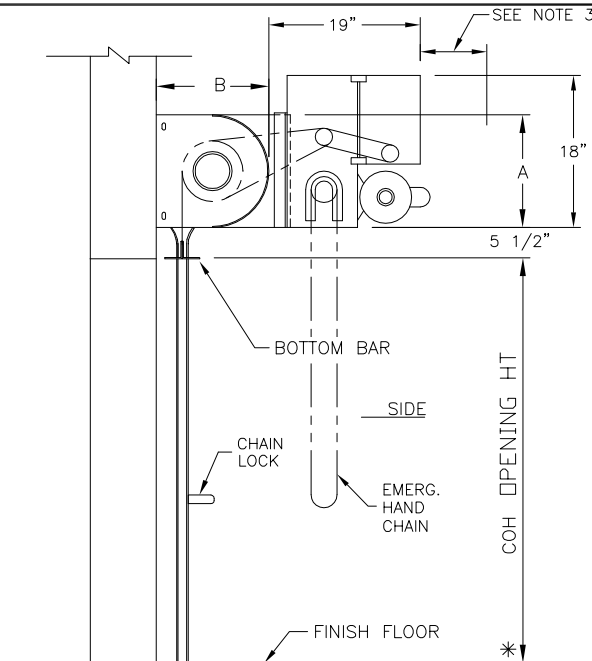
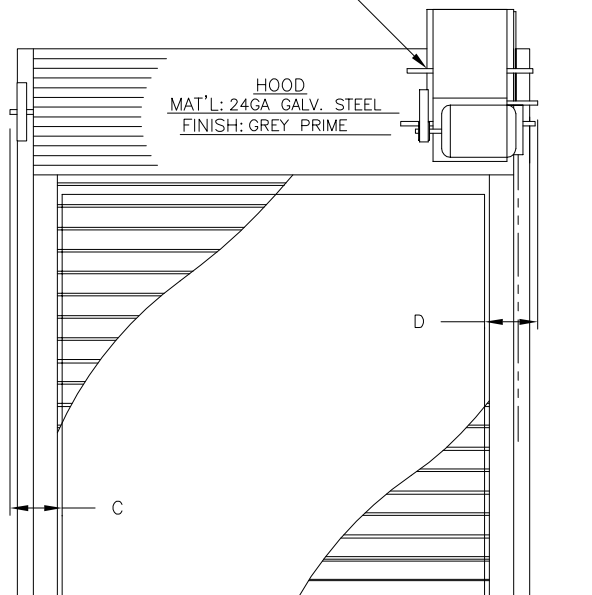
DISTRIBUTOR: _____

DRAWING NO. _____ OF _____

SERVICE DOOR || CHAIN OPER || FACEMTD

MODEL H___ MOTOR OPERATOR, ___HP

HOOD
MAT'L: 24GA GALV. STEEL
FINISH: GREY PRIME



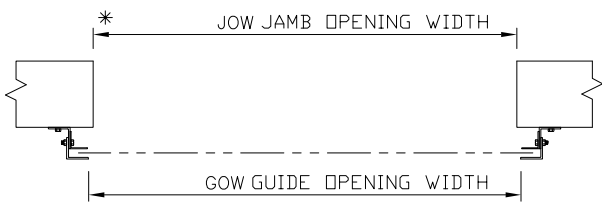
- NOTES:
1. GENERAL SPECIFICATIONS SEE SHEET 1.
 2. APPROX. WT. OF DOOR IS _____ WT LBS.
 3. PROVIDE ADEQUATE CLEARANCE FOR WIRING MOTOR.
 4. ELECTRICAL INFORMATION:
VOLTAGE _____ PHASE _____
CONTROLLER NEMA 1
CONTROL STATION NEMA 1
PUSH BUTTON SURFACE MTD
KEY STATION FLUSH MTD
 5. DOOR DESIGNED FOR 25 CYCLES PER DAY.
 6. DOOR DESIGNED TO WITHSTAND 20 PSF WINDLOAD.
 7. THIS DRAWING COVERS GENERAL CONDITIONS, DIMS AND SPECIFICATIONS ONLY. DO NOT USE FOR INSTALLATION PURPOSES. INSTALLATION INSTRUCTIONS AND DIMENSIONS ARE INCLUDED WITH SHIPMENT.

DIMENSIONS AND CLEARANCES AS NOTED BY ASTERISK (*) MUST BE FIELD CHECKED.

VERIFIED BY: _____ ON: _____

NO CANCELLATIONS OR RETURNS ON THIS ORDER:

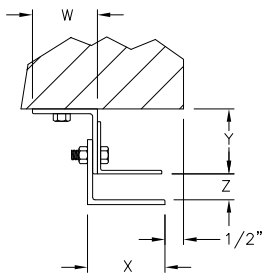
Signature: _____



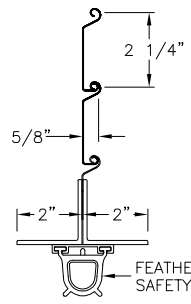
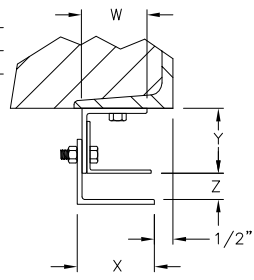
* VERIFY WALL CONSTRUCTION

BOTTOM BAR LOCK			
TYPE	OPERATION		INTER LOCK
	INSIDE	OUTSIDE	
SLIDE BOLT	<input type="checkbox"/>	<input type="checkbox"/>	<input type="checkbox"/>
CYLINDER	<input type="checkbox"/>	<input type="checkbox"/>	<input type="checkbox"/>
NO LOCKING	<input type="checkbox"/>		<input type="checkbox"/>

GUIDE DETAIL TYPE 1
MAT'L: STEEL
FINISH: BRONZE PRIME



GUIDE DETAIL TYPE 2
MAT'L: STEEL
FINISH: BRONZE PRIME



SLAT: #5
MAT'L: GALV. STEEL
FINISH: GREY PRIME
WINDLOCKS: NONE

BOTTOM BAR DETAIL
MAT'L: STEEL
FINISH: BRONZE PRIME

FEATHEREDGE SAFETY SWITCH

MAKE	HAND	ARCH. MARK	DOOR MARK
	AS SHOWN		
	OPPOSITE		
			ORIGINAL DRAWING
NO.	BY	DATE	REVISION

Amarr
ENTRE/MATIC

JOB: _____
CONTRACTOR: _____
ARCHITECT: _____
DISTRIBUTOR: _____
DRAWING NO. _____ OF _____

SERVICE DOOR || H MTR OPER || FACEMTD